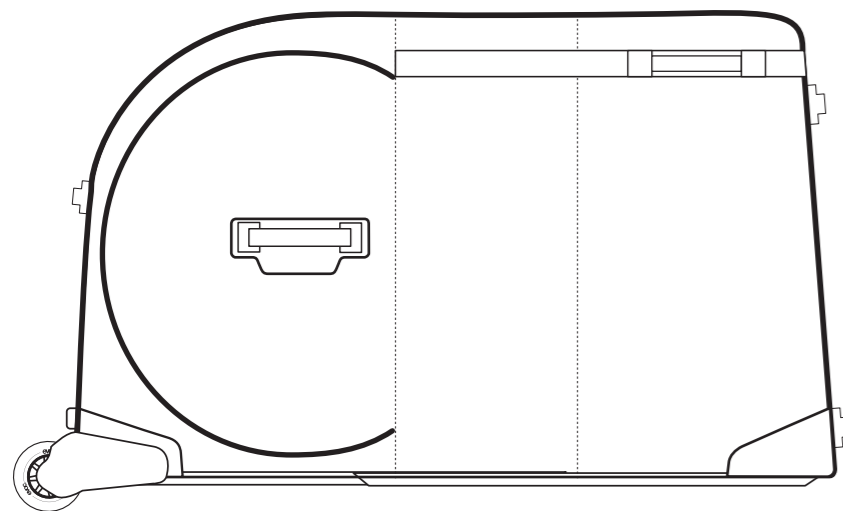




#PROTECTINGYOURPASSION



INSTRUCTION MANUAL FOR PACKING A MOUNTAINBIKE OR ROADBIKE IN YOUR ARROW BIKE BAG

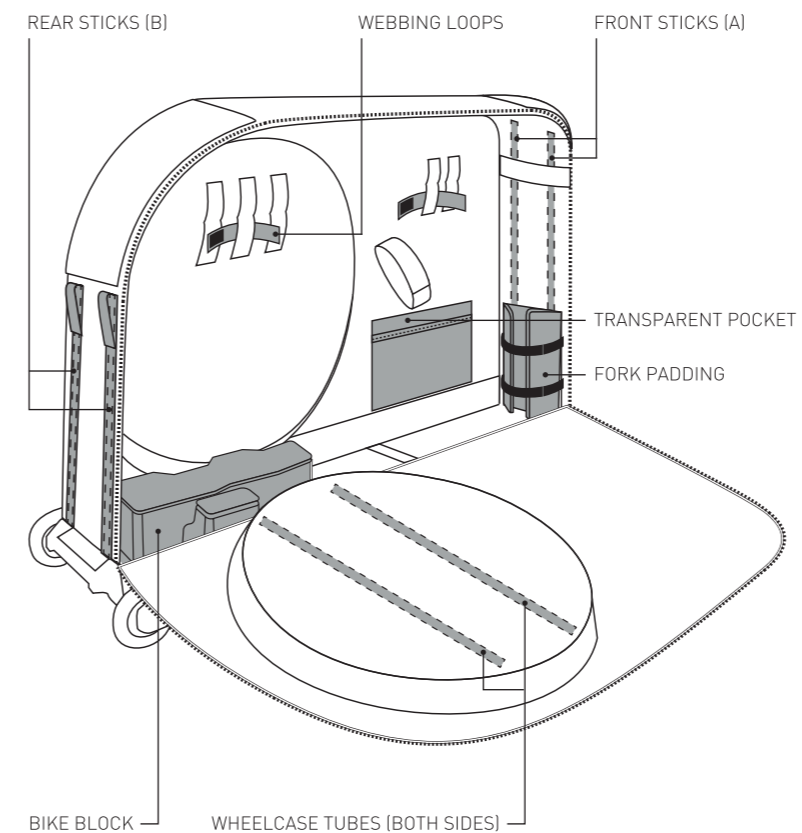
ENCLOSED PARTS

- 4x WHEELCASE TUBES
- 2x FRONT STICKS (A) 56 cm
- 2x REAR STICKS (B) 41 cm
- 1x BIKE BLOCK
- 2x WEBBING LOOPS
- 1x FRAME PAD

TOOLS NEEDED

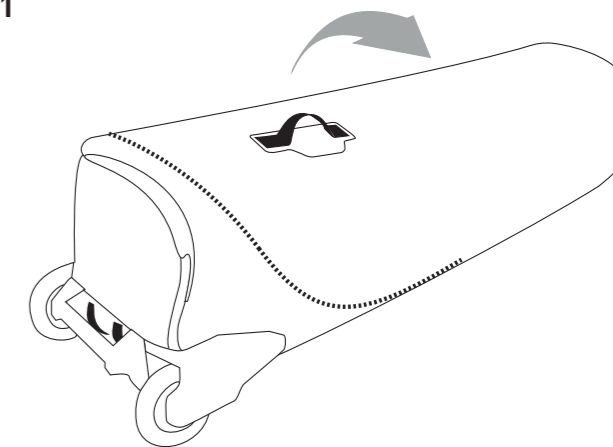
- PEDAL WRENCH
- ALLEN KEY

ARROW BIKE BAG

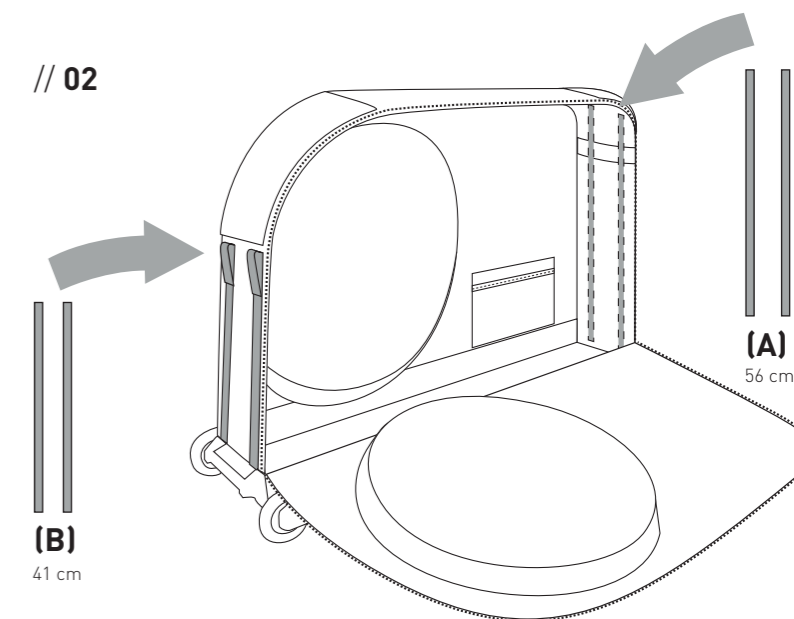


HOW TO ASSEMBLE YOUR ARROW BIKE BAG

// 01



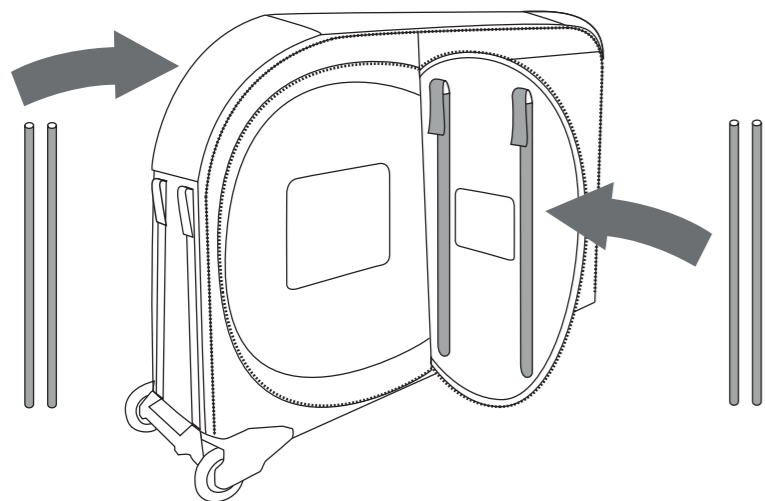
// 02



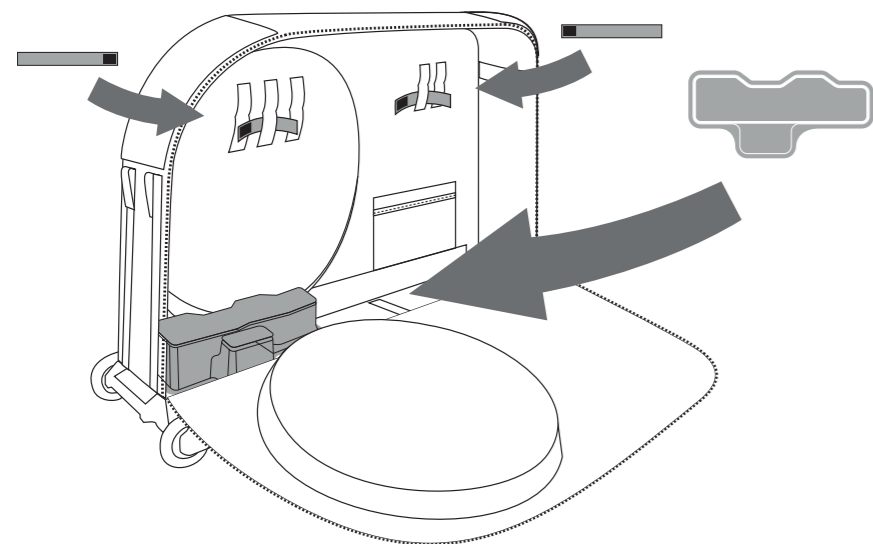


ARROW BIKE BAG

// 03

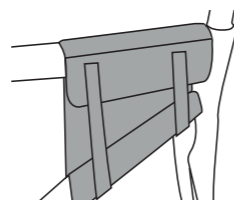


// 04



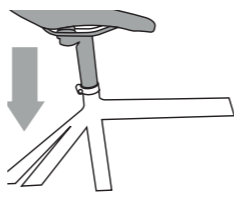
BIKE PREPARATION

// 05



Add FRAME PAD

// 06



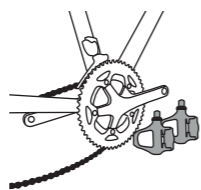
Lower in your bicycle saddle

// 07



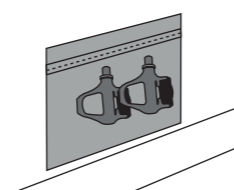
Remove both wheels

// 08



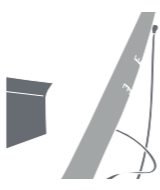
Remove both pedals

// 09



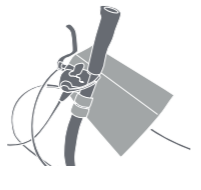
Put pedals in transparent pocket

// 10



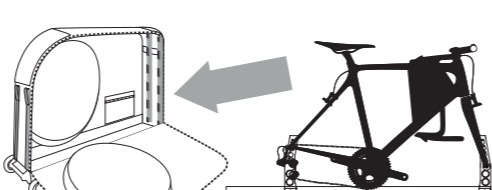
Remove handle bar

// 11



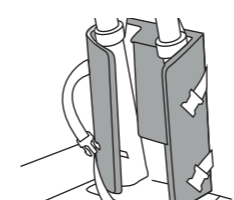
Fix bar to FRAME-PAD

// 12



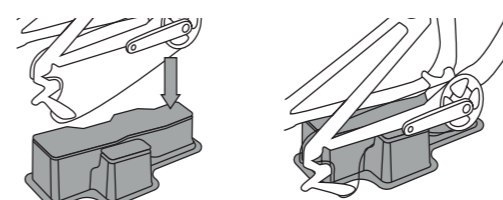
Place your bike in the ARROW BIKE BAG

// 13



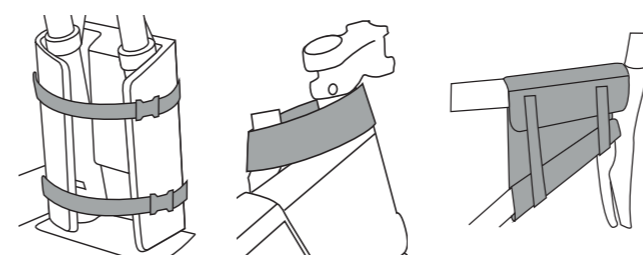
Put fork into FORK PADDING

// 14



Position bottom bracket on BIKE BLOCK

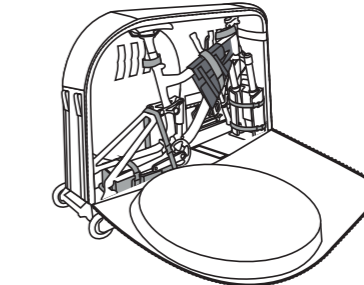
// 15



Fix your bike with straps

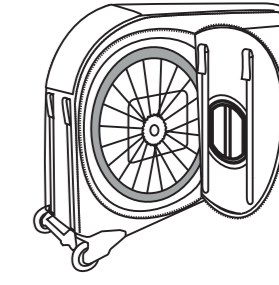
ARROW BIKE BAG

// 17



Looks like this? Almost done!

// 18



Don't forget to put wheels in wheel compartment